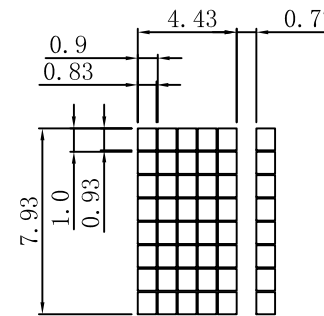
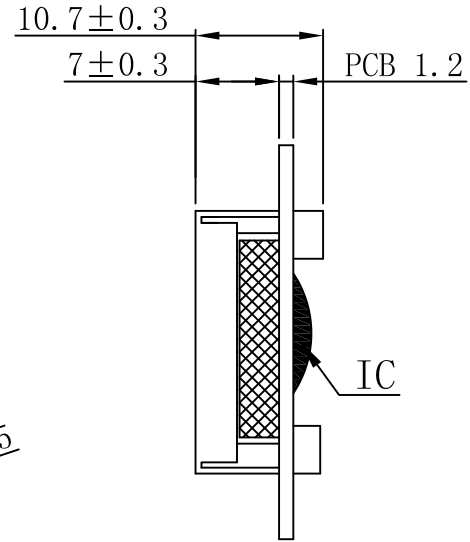
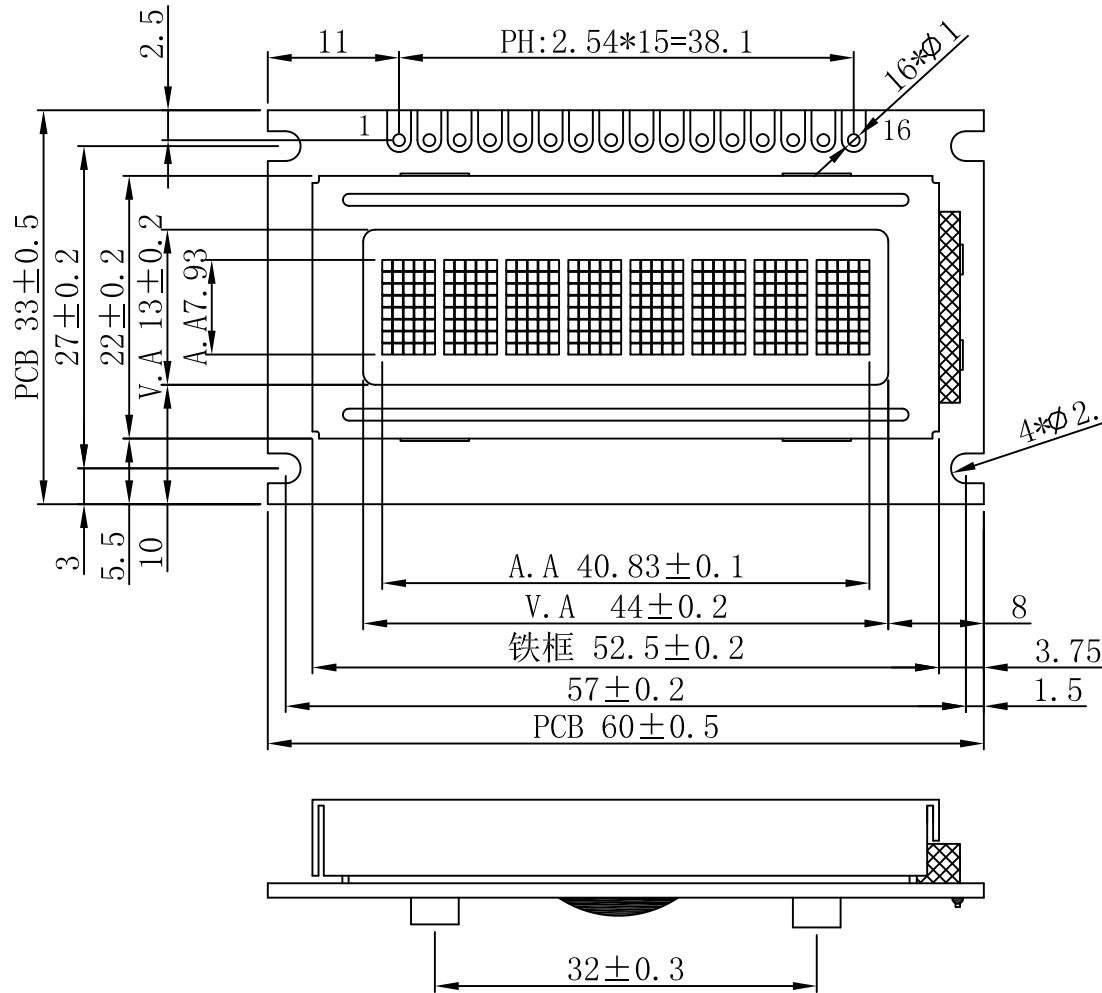


Revised Record

1.0

New issue

2012-12-6



DOT SIZE:

INTERFACE:

1	VSS
2	VDD
3	V0
4	RS
5	RW
6	E
7	DB0
8	DB1
9	DB2
10	DB3
11	DB4
12	DB5
13	DB6
14	DB7
15	LEDK
16	LEDA

Customer's Choices:

DISPLAY TYPE:	
View angle:	
Temp:	
Voltage:	
IC:	
Fonts:	
Backlight:	
Other:	

NOTES:

- |                            |                                     |
|----------------------------|-------------------------------------|
| 01. DISPLAY TYPE:          | STN-BLUE/NEGATIVE/TRANSMISSIVE RoHS |
| 02. OPERATING VOLTAGE:     | VOP=4.7V,VDD=5.0V                   |
| 03. OPERATING TEMPERATURE: | -20°C~+70°C                         |
| 04. STORAGE TEMPERATURE:   | -30°C~+80°C                         |
| 05. DRIVE MODE:            | 1/8DUTY,1/4BIAS                     |
| 06. VIEWING DIRECTION:     | 6:00                                |
| 07. DRIVE IC:              | ST7066U(OR-EQV)                     |
| 08. CONNECTOR:             | ZEBER                               |
| 09. BACKLIGHT:             | LED(WHITE)                          |
| 10. CUSTOMER'S PART ID:    | BLAZE_STANDARD_PRODUCT              |

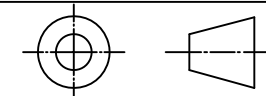
**BLAZE** Blaze Display Technology Co.,Ltd.

DESIGNED BY: BDT-24

BCB0801-C01

VERSION: 1.0

CHECKED BY: BDT-06



PAGE 1 OF 1

APPROVED BY: BDT-02

UNIT: mm

Website: <http://www.blazedisplay.com>

DATE: 2013-3-23